

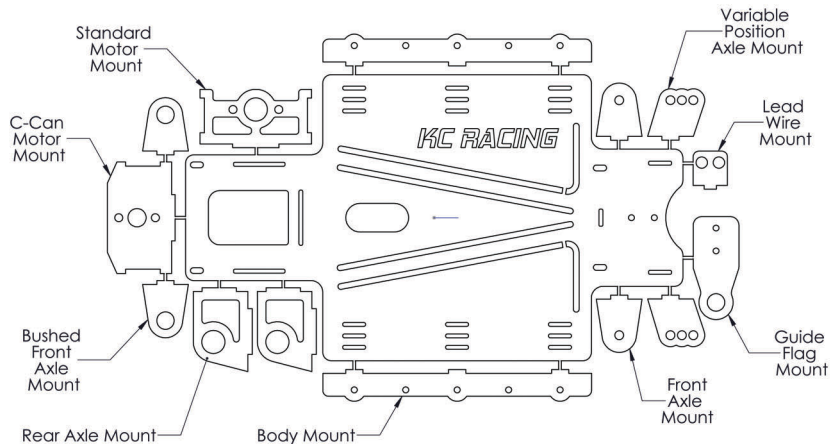


Lucky 7 Rev. C Build Supplement

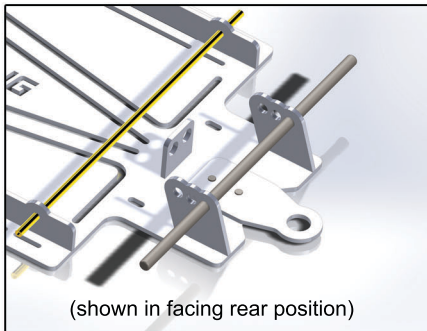
The Rev. C kit introduced in 2022 includes:

- Three variants for front axle installations
 - Variable Position Axle Mount for axle positions when facing rear in 4-1/8", 4-3/8", 4-1/2" when facing front 4-1/2", 4-5/8", 4-3/4"
 - Bushing installed front axle
 - Standard 4-1/2" axle position
- C-Can motor mount option

Visit www.KCRacing.net for Tech Tips and installation instructions for KC Racing parts

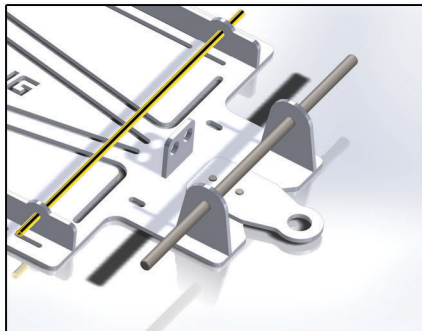


Variable Position Axle Mount



Variable position and standard 4-1/2" position mounts are designed to be used with KC Racing Independent axle p/n KCR-332FADR

Standard 4-1/2" Front Axle Mount



Bushed Front Axle Mount

